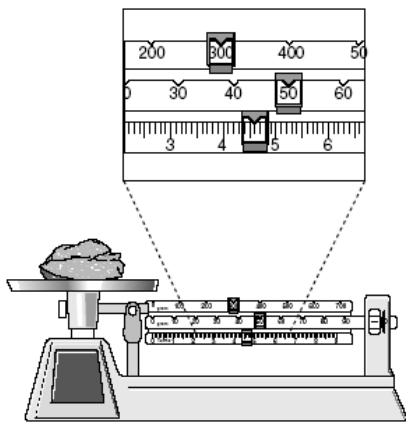


Name: _____ Due Date: _____

1. How does data help a scientist?
 - a. It shows the scientist conducted an experiment.
 - b. It proves the scientist's ideas are valid
 - c. It explains the steps in the experiment
 - d. It helps the scientist make a hypothesis

2. The scientist will do all of the following during an experiment EXCEPT-
 - a. Read the directions first
 - b. Wear their goggles
 - c. Throw a beaker to their partner
 - d. Clean up after the lab



3. What mass is indicated on the triple beam balance shown above?
 - a. 354.5g
 - b. 54g
 - c. 354g
 - d. 300g

4. What is a hypothesis?

5. Circle the best hypothesis
 - a. Will a wagon move more easily over rocks or concrete.
 - b. A rock driveway is better than a concrete driveway.
 - c. If you pull a wagon over a concrete driveway then it will move more easily.

6. A group of students were preparing an activity to determine whether certain materials will float or sink when placed in water. Before the experiment started one student said "I think the sponge will float in water." This statement is a/an-
 - a. Conclusion
 - b. Fact
 - c. Observation
 - d. hypothesis

Name: _____ Due Date: _____

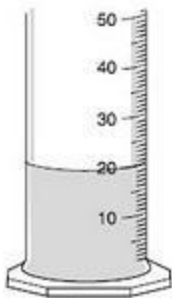
7. Observe the student's science notebook entry –

Column X	Column Y	Column Z
Safety goggles	Beaker	Birdcage
Gloves	Metric Ruler	Aquarium
Apron	Balance	Ant farm

Which of the following heading is best for Column X?

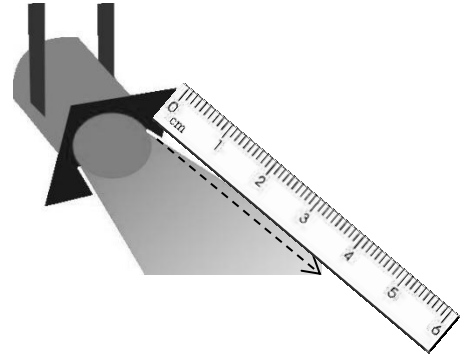
- a. Plastic Containers
- b. Science Lab Guidelines
- c. Measuring Tools
- d. Safety Equipment

8. If you added 5mL more to the graduated cylinder, what would the total volume be?



- a. About 27 mL
- b. About 25 mL
- c. About 30 mL
- d. About 40 mL

9. Which metric measurement would be closest to the length of the ray of light.



- a. 6cm
- b. 4cm
- c. 2cm
- d. 3cm

10. List all unsafe lab practices you see in this picture.

